

[Click here for dimensions](#)

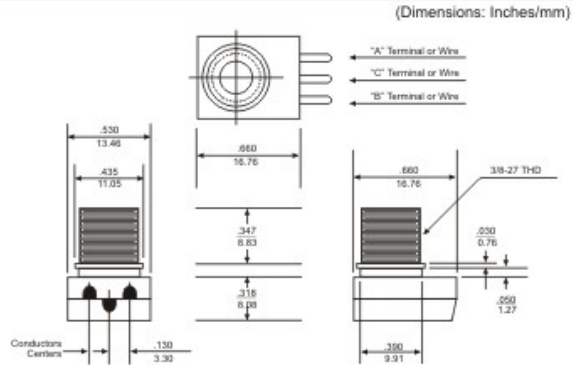
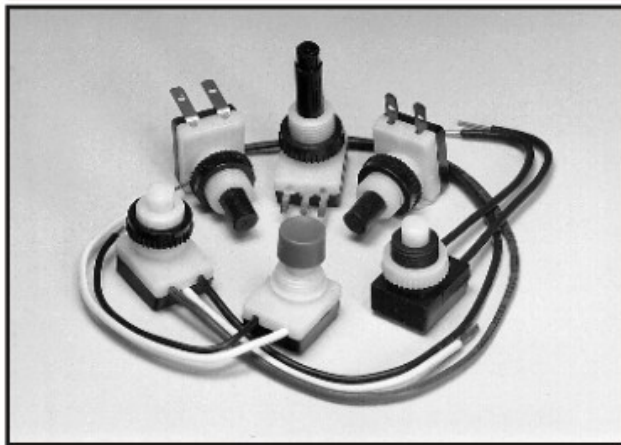


# Push-Button Switches

## Series J-188

*Rugged, Long Life, Low Cost*

"Since 1975... serving the automotive industry and over 2,000 OEM customers"



Dimensions are given for approximate size only. "A" Body switch dimensions are shown. Other body styles are available. Contact the factory for specific applications and panel hole sizes. This product is covered by one or more of the following U.S.A. patents: 3694603, 4175222, 4288670, 4308440, 4317015, 4345128, 4939328, 4950856, 5132499, 5226529. Others patents are pending.

**Switch Configurations:**

- Many sizes available. Contact factory for body heights, plunger styles, available colors, & wire/terminal configurations.

**Features:**

- Spring loaded pre-travel & over-travel available with various configurations.
- Engineering grade plastics used throughout.
- High quality, long life, & low cost.
- Many bezels & snap-on buttons available.
- Rubber boots available.

**Durability:**

- 50,000 - 500,000 typical cycle life. Contact factory for actuation force & cycle life specifications.

**Applications:**

- Flashlights, Auto Interior Lighting, Appliances, Computers, Emergency Lights & Power Tools.

<p style="text-align: center;"><b>J-188-1</b></p> <p><b>Specifications</b> <span style="float: right; font-size: small;">UL &amp; CUR Recognized</span></p> <p>SPST (Single Pole, Single Throw)</p> <p>Function: On - Off</p> <p>Rating: <span style="margin-right: 20px;">125V AC 6A</span> <span style="margin-right: 20px;">250V AC 1A</span> <span>14V DC 10A</span></p>	<p style="text-align: center;"><b>J-188-1 Momentary</b></p> <p><b>Specifications</b> <span style="float: right; font-size: small;">UL &amp; CUR Recognized</span></p> <p>SPST (Single Pole, Single Throw)</p> <p>Function: On - Off (Initial Momentary "On" Contact)</p> <p>Rating: <span style="margin-right: 20px;">14V DC 2A</span></p>	<p style="text-align: center;"><b>J-188-2</b></p> <p><b>Specifications</b> <span style="float: right; font-size: small;">UL &amp; CSA Recognized</span></p> <p>SPST (Single Pole, Single Throw)</p> <p>Function: NOMC (Normally Open, Momentarily Closed)</p> <p>Rating: <span style="margin-right: 20px;">125V AC up to 3A</span> <span>14V DC 4A</span></p>
<p style="text-align: center;"><b>J-188-2S</b></p> <p><b>Specifications</b> <span style="float: right; font-size: small;">UL &amp; CSA Recognized</span></p> <p>SPST (Single Pole, Single Throw)</p> <p>Function: NOMC (Normally Open, Momentarily Closed with overtravel)</p> <p>Rating: <span style="margin-right: 20px;">125V AC up to 3A</span> <span>14V DC 4A</span></p>	<p style="text-align: center;"><b>J-188-3</b></p> <p><b>Specifications</b> <span style="float: right; font-size: small;">UL &amp; CUR Recognized</span></p> <p>SPST (Single Pole, Single Throw)</p> <p>Function: NCMO (Normally Closed, Momentarily Open)</p> <p>Rating: <span style="margin-right: 20px;">125V AC 6A</span> <span>14V DC 10A</span></p>	<p style="text-align: center;"><b>J-188-4</b></p> <p><b>Specifications</b> <span style="float: right; font-size: small;">UL Recognized</span></p> <p>SPDT (Single Pole, Double Throw)</p> <p>Function: On A - On B</p> <p>Rating: <span style="margin-right: 20px;">125V AC 1.5A</span> <span style="margin-right: 20px;">250V AC 1A</span> <span>14V DC 2A</span></p>
<p style="text-align: center;"><b>J-188-5</b></p> <p><b>Specifications</b> <span style="float: right; font-size: small;">UL Recognized</span></p> <p>SPDT (Single Pole, Double Throw)</p> <p>Function: On A - Off - On B - Off</p> <p>Rating: <span style="margin-right: 20px;">125V AC 1.5A</span> <span style="margin-right: 20px;">250V AC 1A</span> <span>14V DC 2A</span></p>	<p style="text-align: center;"><b>J-188-6</b></p> <p><b>Specifications</b></p> <p>SPDT (Single Pole, Double Throw)</p> <p>Function: Normally: On A - Off B Momentary: On B - Off A</p> <p>Typical Capacity: <span style="margin-right: 20px;">14V DC 2A</span></p>	<p style="text-align: center;"><b>J-188-7</b></p> <p><b>Specifications</b></p> <p>SPDT (Single Pole, Double Throw)</p> <p>Function: On B - On A &amp; B - On A - Off</p> <p>Typical Capacity: <span style="margin-right: 20px;">14V DC 2A</span></p>

Judco Manufacturing, Inc. 1429 West 240th Street, Harbor City, California 90710 Phone: (310) 534-0959 Fax: (310) 534-9420 Copyright 1997 by Judco Mfg. Inc., Printed in U.S.A.  
Automotive Division: 2000 Oakley Park Road, Suite 208, Walled Lake, Michigan 48390 Phone: (248) 624-6840 Fax: (248) 624-6668  
[www.judco.net](http://www.judco.net)



# Push-Button Switches

## Specialty Series J-188

### Hi-Low, Pre-Load, & Stable-On Function

\*Since 1975... serving the automotive industry and over 2,000 OEM customers\*

### Hi-Low Switch

**Specifications**

**Hi-Low** (Two Position)

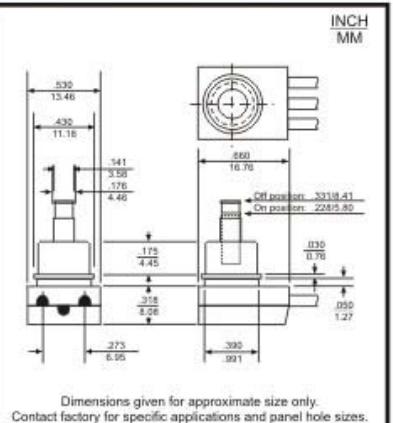
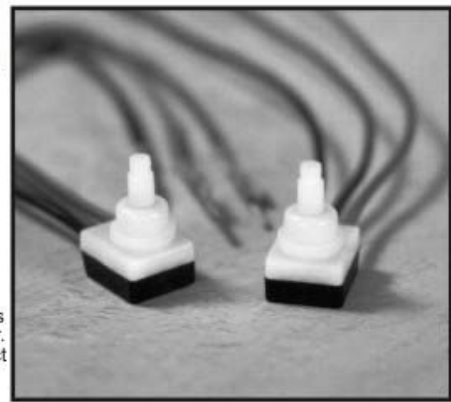
**SPST** (Single Pole, Single Throw)  
**SPDT** (Single Pole, Double Throw)

**Function:** On-Off, On-On

**Rating:** 14 V DC, up to 2A

**Leads:** Wire, Female/Male Terminals

**Design:** Stable On feature: circuit changes state only on up stroke of plunger. Plunger comes to rest at 2 distinct positions after each actuation. Available in short or tall body.



### Pre-Load Switch

**Specifications**

**Pre-Load**

**SPST** (Single Pole, Single Throw)  
**SPDT** (Single pole, Double Throw)

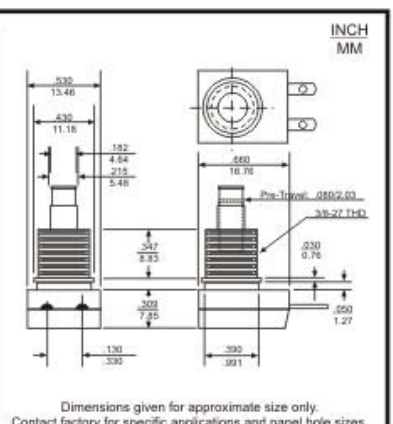
**Function:** On-Off, On-On

**Rating:** 14 V DC, up to 10A\*

**Leads:** Wire, Female/Male Terminals

**Design:** Allows for axial loading of plunger without affecting switch operation.

\*Dependent on actuation force requirements



### Stable-On Switch

**Specifications**

**Stable-On**

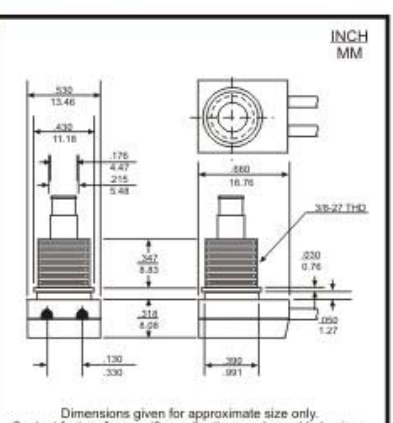
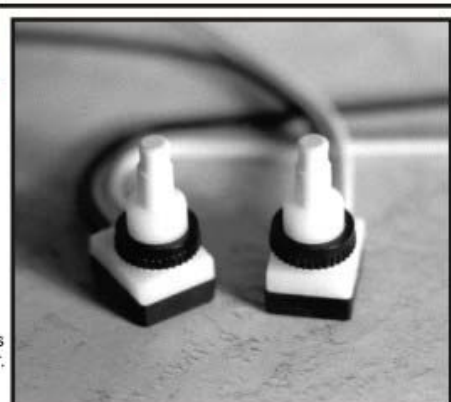
**SPST** (Single Pole, Single Throw)  
**SPDT** (Single Pole, Double Throw)

**Function:** On-Off, On-On

**Rating:** 14 V DC, up to 2A

**Leads:** Wire, Female/Male Terminals

**Design:** Stable On feature: circuit changes state only on up stroke of plunger. Available in short or tall body.







# Push-Button Switches

## Flashlight Series

*Rugged, Long Life, Engineered to Last*

"Since 1975... serving the automotive industry and over 2,000 OEM customers"

J-1052

**Specifications**

**SPST** (Single Pole, Single Throw)

**Function:** On-Off (initial momentary "on" contact)

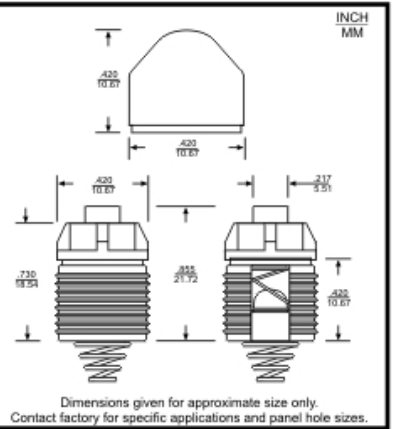
**Rating:** 14V DC 2A

**Insulation Resistance:** 100MΩ

**Mounting:** 5/8"-27 Thread

**Mechanical Life:** Over 50,000 Cycles

**Application:** Flashlights



J-954

**Specifications**

**SPST** (Single Pole, Single Throw)

**Function:** On-Off (initial momentary "on" contact) Hi-Low actuator

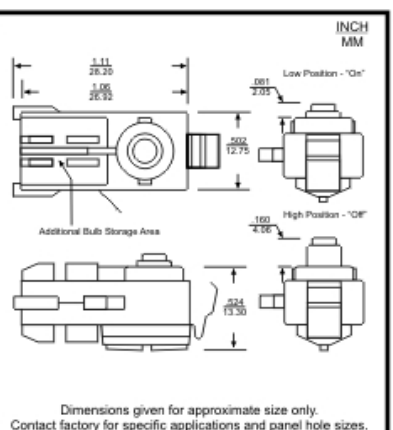
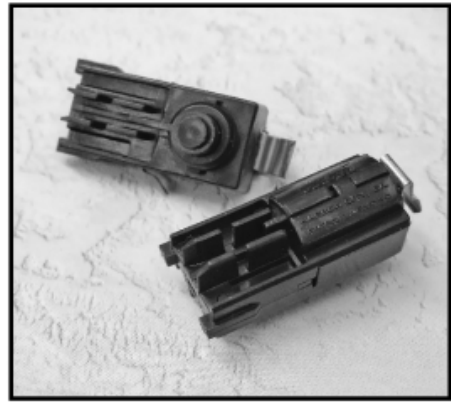
**Rating:** 14V DC 2A

**Insulation Resistance:** 100MΩ

**Mounting:** Captured in housing

**Mechanical Life:** Over 50,000 Cycles

**Application:** Flashlights



JH-2594

**Specifications**

**SPST** (Single Pole, Single Throw)

**Function:** NOMC (Normally Open, Momentarily Closed)

**Rating:** 14V DC 2A

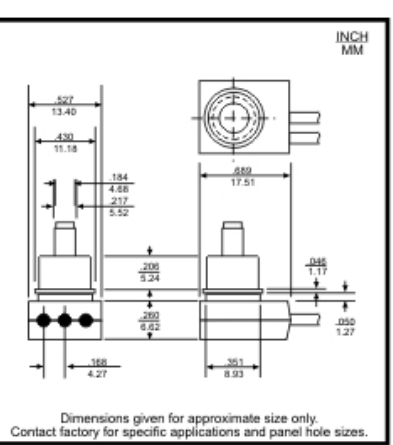
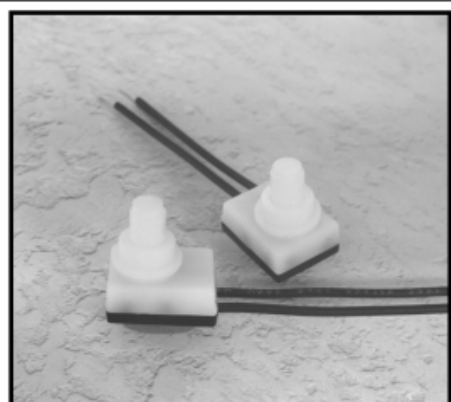
**Insulation Resistance:** 500MΩ

**Mounting:** Key lock

**Leads:** PCB terminals or wire leads

**Mechanical Life:** Over 100,000 Cycles

**Application:** Flashlights



Judco Manufacturing, Inc. 1429 West 240th Street, Harbor City, California 90710 Phone: (310) 534-0959 Fax: (310) 534-9420 Copyright 1997 by Judco Mfg. Inc., Printed in U.S.A.  
Automotive Division: 2000 Oakley Park Road, Suite 208, Walled Lake, Michigan 48390 Phone: (248) 624-6840 Fax: (248) 624-6668  
[www.judco.net](http://www.judco.net)

Back to Switches